

CLAMPBRO®

STRONG-ARM



3 TONNE GARAGE JACK

MODEL NO: CTJ3000C

PART NO: 7623037

OPERATION & MAINTENANCE INSTRUCTIONS

UK
CA | CE

ORIGINAL INSTRUCTIONS

GC1221

INTRODUCTION

Thank you for purchasing this CLARKE 3 Tonne Garage Jack.

Before attempting to use this product, please read this manual thoroughly and follow the instructions carefully. In doing so you will ensure the safety of yourself and that of others around you, and you can look forward to your purchase giving you long and satisfactory service.

SPECIFICATIONS

Model	CTJ3000C
Part number	7623037
Length (not including handle):	660 mm
Width	350 mm
Cup diameter	117 mm
Height of saddle from floor (minimum)	135 mm
Height of saddle from floor (maximum)	525 mm
Distance raised per stroke	28 mm
Strokes to max height	18
Weight	36.2 kg
Rated Load	3 tonne (3000kg)
Pump oil capacity	240 ml

GUARANTEE

This product is guaranteed against faulty manufacture for a period of 12 months from the date of purchase. Please keep your receipt which will be required as proof of purchase.

This guarantee is invalid if the product is found to have been abused or tampered with in any way, or not used for the purpose for which it was intended.

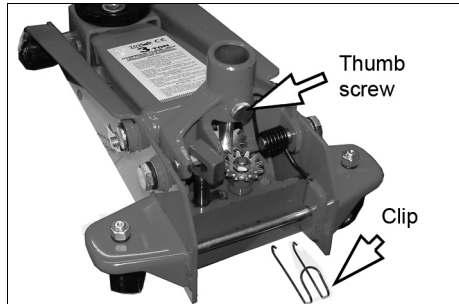
Faulty goods should be returned to their place of purchase, no product can be returned to us without prior permission. This guarantee does not effect your statutory rights.

SAFETY PRECAUTIONS

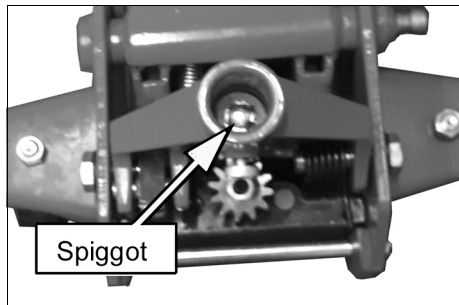
1. Read Instruction manual before use.
2. Only trained persons should operate this lifting equipment.
3. ALWAYS ensure that sufficient light is provided and that the work area is kept clear of unrelated items.
4. ALWAYS inspect the jack before use. Make sure that all parts are in good condition and operating smoothly and that no cracks or distortion is apparent. If in doubt DO NOT use. Have the damaged parts replaced or consult your CLARKE dealer.
5. The jack must be maintained and repaired by suitably qualified persons.
6. DO NOT make any modifications to this jack or adjust any valves.
7. DO NOT use the jack if an oil leak is apparent. Consult your CLARKE dealer.
8. DO NOT use to lift people and ensure that no-one is in the vehicle during lifting.
9. NEVER exceed the rated load for the jack See "Specifications" on page .. Overloading can cause the jack to fail resulting in personal injury.
10. Make sure that the jack is on a hard level surface, and there is no possibility of it slipping when under load.
11. Only use the jack on solid ground, preferably concrete. Avoid tarmac as the jack could sink in.
12. Make sure the load is taken by the full saddle and that the lifting point on the load is of sufficient strength to support the weight.
13. ALWAYS use axle stands to stabilise the load once lifted.
14. Consult the vehicle handbook to determine the correct lifting points.
15. Ensure the load is chocked and the handbrake applied before lifting.
16. NEVER work on or under a load unless it is fully and adequately supported.
17. NEVER rely upon the jack to hold the load in position.
18. NEVER push a load off the jack.
19. Ensure that all personnel are well clear of a load being raised or lowered.
20. Take care not to trap fingers within the moving parts.
21. Use only as a lifting device, do not use as a dolly to move a load.

UNPACKING AND ASSEMBLY

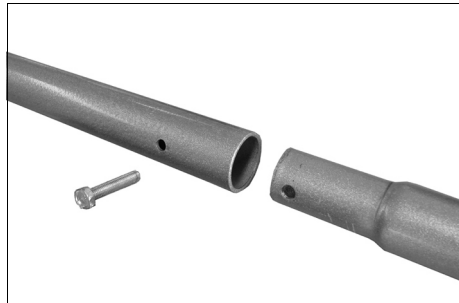
1. Remove the wire retaining clip by pressing the handle yoke downwards and disengaging the clip.



2. Loosen the thumb screw in the yoke until the lower handle can be inserted fully into the handle socket, ensuring the square drive on the end of the handle, engages fully with the square spigot within the housing.



3. Retighten the locating thumb screw.
4. Connect the two halves of the operating handle and secure with a nut and bolt.



PREPARING FOR USE

PURGING AIR FROM THE SYSTEM

If air bubbles become trapped inside the hydraulic system during shipping or transport, the efficiency of the jack will be reduced and the jack will feel spongy.

1. Turn the control valve counter-clockwise, relieving the pressure inside the jack.
2. Pump the handle several strokes to purge air from the system.
3. Turn the control valve clockwise raise the jack to its full height. Pump the handle again several full strokes.
4. Test the jack and if efficiency is still low, repeat the above procedure with the oil filler plug loosened. Check the oil level as described under Maintenance.
5. The jack is now ready to use.

OPERATION

Before use, inspect the jack for oil leaks or any other sign of damage. Should any be apparent, have the jack repaired by a qualified technician.



WARNING: NEVER WORK ON THE VEHICLE WHEN SUPPORTED ONLY BY A JACK. THIS IS HIGHLY DANGEROUS. THE VEHICLE MUST BE SUPPORTED ON AXLE STANDS OR SUITABLE SUPPORTS, BENEATH THE CORRECT JACKING/SUPPORT POINTS.

1. Ensure the vehicle to be raised is stable and on firm level ground with the wheels chocked.
2. Position the jack so that the saddle is directly beneath the lifting point.
 - Consult the vehicle handbook to determine suitable lifting points.
3. Twist the handle clockwise to close the control valve.
4. Pump the handle to raise the saddle until it reaches the jacking point.
5. Make sure that the saddle is in full contact with the lifting point and that there is nothing that will prevent a clean lift. Keep all personnel at a safe distance before lifting the vehicle.
6. Position axle stands directly beneath suitable supporting points on the vehicle and very gently twist the handle anti-clockwise.
7. This will open the control valve to lower the load onto the stands.
 - Make sure that the axle stands are in good condition and that they can hold the load.
8. Ensure that the axle stands cannot move when supporting the load. Use suitable wheel chocks to stop the vehicle from moving.

NOTE: The jack may move slightly during operation. It is important therefore, that the floor is clean and completely free from debris.

9. To stop it lowering at any point, turn the handle clockwise again. Always avoid a rapid descent by turning the handle slowly.
10. Carefully lower the vehicle onto the axle stand, checking constantly, preferably with an assistant, that the vehicles jacking point rests snugly and cleanly on the axle stand, and that the stand is stable before the weight is taken.

NOTE: Ensure this operation is carried out under complete control. DO NOT allow the load to drop suddenly as this could damage internal parts.

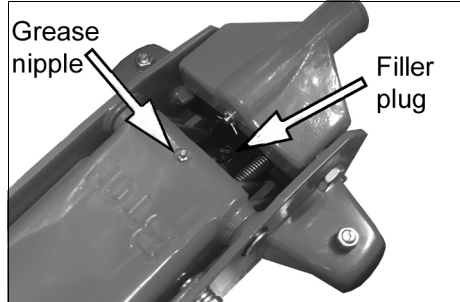
11. Completely remove the jack from the vehicle.

MAINTENANCE

CHECKING / MAINTAINING THE OIL LEVEL

If the jack has been stored for long periods, check for oil leaks before use. If necessary, check the oil level as follows:

1. Ensure the jack is fully lowered by turning the control valve fully anti-clockwise.
2. Remove the filler plug.
 - The oil should be almost level with the bottom of the oil filler hole.
 - Oil can be topped up using Clarke Hydraulic Oil (p/n 3050830 1 litre).



3. Purge any air from the system and replace the filler plug.
4. Dispose of old/spilled oil appropriately and wipe up any spillage.

GENERAL CARE

1. Periodically lubricate the hinges, front wheels & rear castors with light oil.
 - A grease nipple is provided for the main hinge.
2. Store in a dry location, with the ram fully retracted.
3. In the event of damage or broken components, replacements are available from CLARKE Parts & Service.

ENVIRONMENTAL PROTECTION

One of the most damaging sources of environmental pollution is oil products. Never throw away used hydraulic oil with domestic refuse or flush it down a sink or drain. Collect any hydraulic oil in a leak proof container and take it to your local waste disposal site.

If disposing of this product or any damaged components, do not dispose of with general waste. This product contains valuable raw materials and should be taken to your local civic amenity site for recycling of metal products.

TROUBLESHOOTING

PROBLEM	CAUSE	REMEDY
Jack will not lift the rated load	Low oil level	Check for leakage and top up if required.
	Release valve not closed	Turn the release knob fully clockwise
	Air in the hydraulic system	Purge the system as on page 5
Jack lowers when under load	Release valve not fully closed	Turn the release knob fully clockwise
	Air in the hydraulic system	Purge the system as on page 5
Pump feels spongy	Low oil level	Check for leakage and top up if required.
	Air in the hydraulic system	Purge the system as on page 5
Handle raises or flies back under load	Air in the hydraulic system	Purge the system as on page 5
Jack will not lift full height	Low oil level	Check for leakage and top up if required.
	Air in the hydraulic system	Purge the system as on page 5
Jack will not lower completely	Return spring may be faulty.	Return to your CLARKE dealer for repair

If any of these remedies fail to restore your jack, consult your CLARKE dealer.

DECLARATION OF CONFORMITY



Fitzwilliam Hall, Fitzwilliam Place, Dublin 2

DECLARATION OF CONFORMITY

This is an important document and should be retained.

We hereby declare that this product(s) complies with the following directive(s):
2006/42/EC Machinery Directive

The following standards have been applied to the product(s):

EN 1494:2000+A1:2008

The technical documentation required to demonstrate that the product(s) meet(s) the requirement(s) of the mentioned directive(s) has been compiled and is available for inspection by the relevant enforcement authorities.

The CE mark was first applied in: 2021

Product Description: 3 Tonne Professional Garage Jack
Model number(s): CTJ3000C
Serial / batch Number: N/A
Date of Issue: 18/11/2021

Signed:

J.A. Clarke
Director



Hemond Street, Epping, Essex, CM10 4LG

DECLARATION OF CONFORMITY

This is an important document and should be retained.

We hereby declare that this product(s) complies with the following statutory requirement(s):
Supply of Machinery (Safety) Regulations 2008

The following standards have been applied to the product(s):

EN 1494:2000+A1:2008

The technical documentation required to demonstrate that the product(s) meet(s) the requirement(s) of the aforementioned legislation has been compiled and is available for inspection by the relevant enforcement authorities.

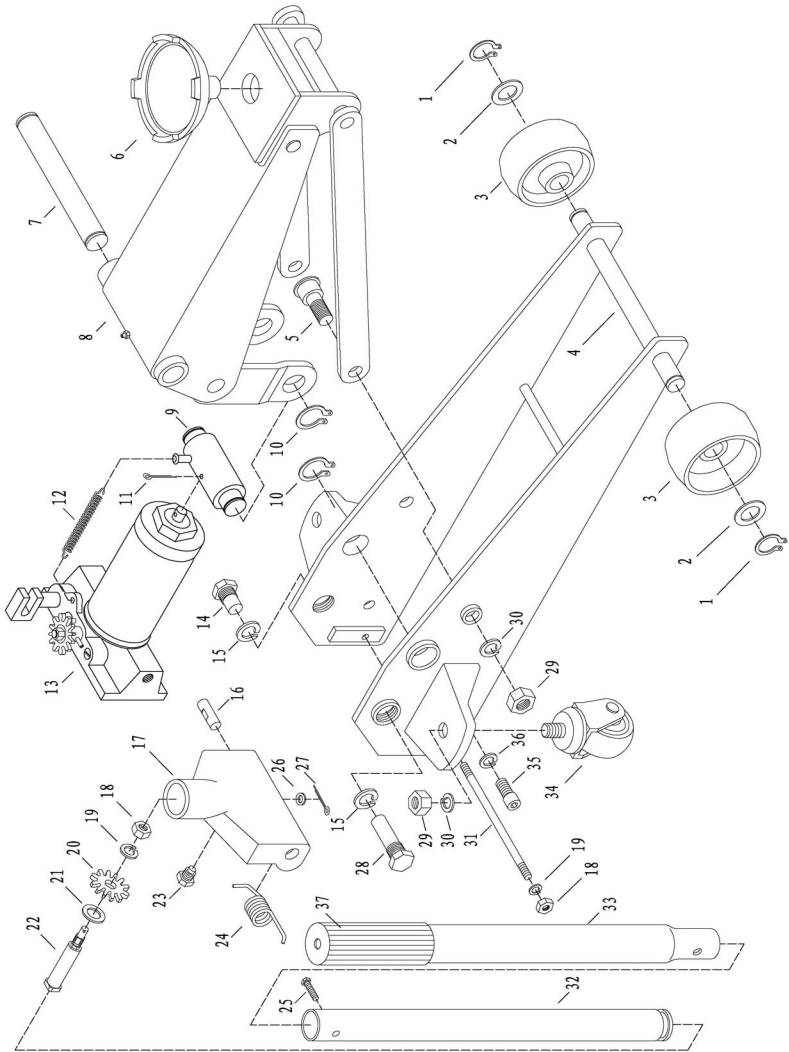
The UKCA mark was first applied in: 2021

Product Description: 3 Tonne Professional Garage Jack
Model number(s): CTJ3000C
Serial / batch Number: N/A
Date of Issue: 18/11/2021

Signed:

J.A. Clarke
Director

COMPONENT PARTS - GENERAL ASSEMBLY



COMPONENT PARTS - GENERAL ASSEMBLY

No	Description
1	Circlip 20 mm
2	Washer 20 mm
3	Front Wheel
4	Frame
5	Support Pivot Bolt
6	Saddle
7	Lift Arm Pivot Shaft
8	Lift Arm
9	Trunnion Block
10	Circlip 25 mm
11	Split Pin 4 x 55
12	Return Spring
13	Hydraulic Pump Unit
14	Left handle Yoke Bolt
15	Washer 18 mm
16	Piston Lock Pin
17	Handle Yoke
18	Nut M12
19	Washer 10 mm

No	Description
20	Flat Gear
21	Washer
22	Gear Mounting Bolt
23	Handle Set Screw
24	Torsion Spring
25	Screw M6 x 35
26	Washer 8 mm
27	Split Pin 2.5 x 12
28	Right Handle Yoke Bolt
29	Nut M16
30	Washer 16
31	Tie Rod
32	Handle - Lower Half
33	Handle - Upper Half
34	Rear Caster Assembly
35	Screw M12 x 25
36	Washer 12
37	Rubber Handle Grip

A SELECTION FROM THE VAST RANGE OF

Clarke®

QUALITY PRODUCTS



AIR COMPRESSORS

From DIY to industrial, Plus air tools, spray guns and accessories.

GENERATORS

Prime duty or emergency standby for business, home and leisure.

POWER WASHERS

Hot and cold, electric and engine driven - we have what you need

WELDERS

Mig, Arc, Tig and Spot. From DIY to auto/industrial.

METALWORKING

Drills, grinders and saws for DIY and professional use.

WOODWORKING

Saws, sanders, lathes, mortisers and dust extraction.

HYDRAULICS

Cranes, body repair kits, transmission jacks for all types of workshop use.

WATER PUMPS

Submersible, electric and engine driven for DIY, agriculture and industry.

POWERTOOLS

Angle grinders, cordless drill sets, saws and sanders.

STARTERS/CHARGERS

All sizes for car and commercial use.



PARTS & SERVICE: 0208 988 7400

Parts Enquiries
Parts@clarkeinternational.com

Servicing & Technical Enquiries
Service@clarkeinternational.com

SALES: UK 01992 565333 or Export 00 44 (0)1992 565335

Clarke INTERNATIONAL Hemnall Street, Epping, Essex CM16 4LG
www.clarkeinternational.com